

IR Quattro 8m

DALI-2 APC - in-ceiling installation
 EAN 4007841 079352
 Article number 079352



infrared sensor



max. 4 x 4 m presence



IP20



ideal 2,5 - 8 m



indoor sensor



iQ-mode



Teach mode



energy saving



5 years
 manufacturer's warranty steinel-professional.de/garantie



CE

Function description

Squaring the circle. Infrared presence detector Presence Control PRO IR Quattro DALI-2 Application Controller for indoors, ideal for small offices, store, service and utility rooms, washrooms and WCs, installation height up to 8 m, with digital DALI-2 Application Controller interface for controlling 2 lighting channels, 1760 switching zones for excellent detection quality, square presence detection zone covering 16 m², mechanically scalable.

Technical specifications

Dimensions (L x W x H)	113 x 120 x 120 mm
Manufacturer's Warranty	5 years
Settings via	Remote control, DIP switches, Potentiometers, Smart Remote
With remote control	No
Version	DALI-2 APC - in-ceiling installation
PU1, EAN	4007841079352
Type	Presence detector
Application, place	Indoors
Application, room	one-person office, conference room / meeting room, duty room, recreation room, changing room, function room / ancillary room, kitchenette, Indoors
Colour	white
Colour, RAL	9010
Includes corner wall mount	No
Installation site	ceiling

Optimum mounting height	2,8 m
Detection angle	360 °
Angle of aperture	100 °
Sneak-by guard	Yes
Capability of masking out individual segments	No
Electronic scalability	No
Mechanical scalability	Yes
Reach, radial	5 x 5 m (25 m ²)
Reach, tangential	7 x 7 m (49 m ²)
Reach, presence	4 x 4 m (16 m ²)
Switching zones	1760 switching zones
Functions	Normal / test mode, Semi-/fully automatic, Pushbutton / switch mode, Manual ON / ON-OFF, Constant-lighting control ON-OFF
Twilight setting	10 – 1000 lx
Time setting	30 s – 30 Min.

IR Quattro 8m

DALI-2 APC - in-ceiling installation
EAN 4007841 079352
Article number 079352



Technical specifications

Installation	In-ceiling installation, Ceiling
IP-rating	IP20
Ambient temperature	from 0 up to 40 °C
Material	Plastic
Mains power supply	230 V / 50 – 60 Hz
Steuerausgang, Dali	Broadcast 2x12 electronic ballasts
With bus coupling	Yes
Technology, sensors	passive infrared, Light sensor
Mounting height	2,50 – 8,00 m
Mounting height max.	8,00 m

Basic light level function	Yes
Basic light level function time	1-60 min, all night
Main light adjustable	50 - 100 %
Twilight setting TEACH	Yes
Constant-lighting control	Yes
Interconnection	Yes
Type of interconnection	Master/slave
Interconnection via	Cable
Product category	Presence detector

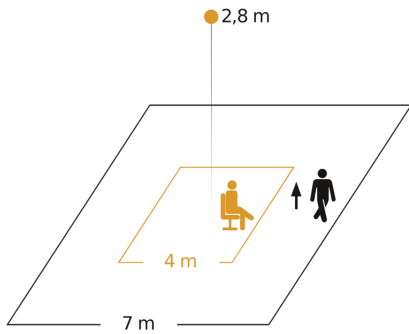
Accessories

EAN 4007841 592806	User remote control RC5
EAN 4007841 003036	Control PRO guard cage
EAN 4007841 009151	Remote control Smart Remote
EAN 4007841 559410	Service remote control RC8

IR Quattro 8m

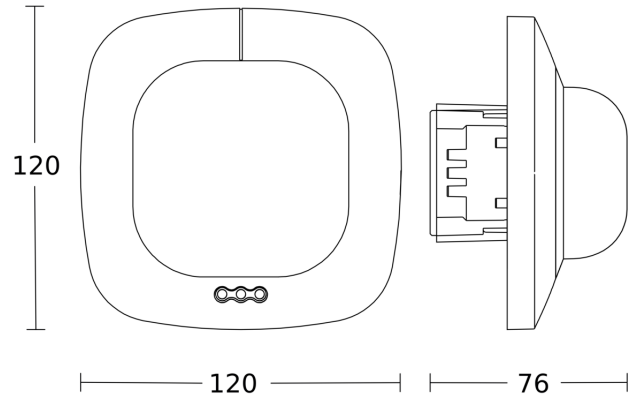
DALI-2 APC - in-ceiling installation
 EAN 4007841 079352
 Article number 079352

Detection Zone

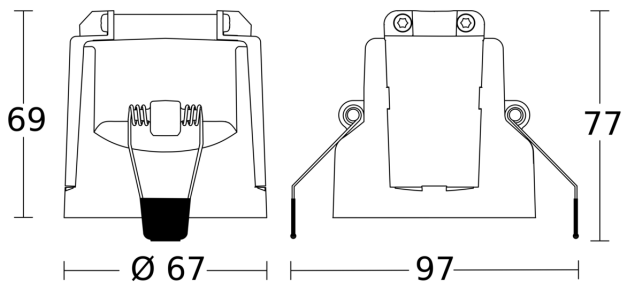


Possible mounting height: 2,50 m - 8,00 m
 Orange: presence
 Black: tangential

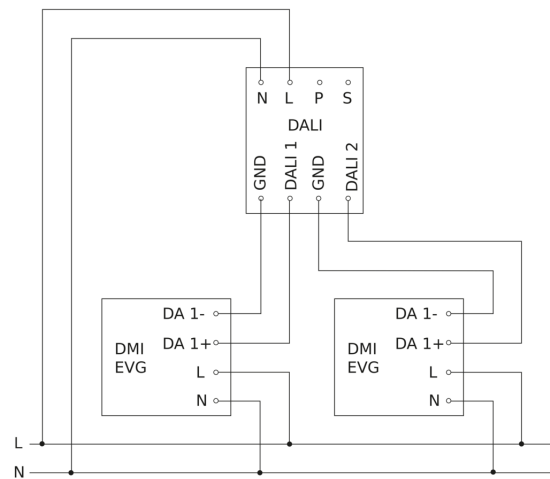
Dimension Drawing 1



Dimension Drawing 2



Master circuit diagram



IR Quattro 8m

DALI-2 APC - in-ceiling installation

EAN 4007841 079352

Article number 079352

Master/slave interconnection circuit diagram

